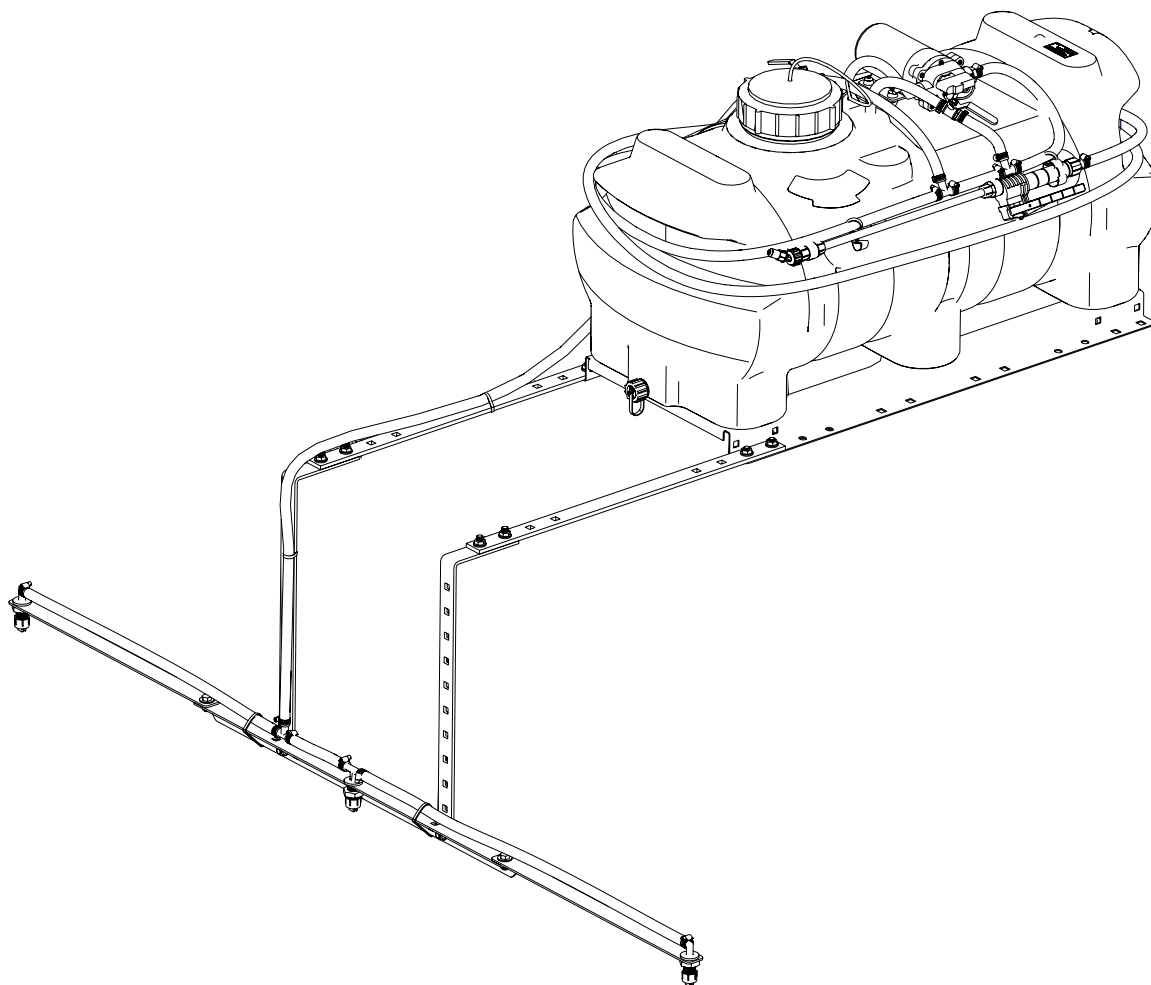




# Assembly Manual

## 25 Gallon Skid Sprayer Model LGX25-2



Manufactured by PBZ LLC  
A Paul B Zimmerman Inc. Company  
[www.CropCareEquipment.com](http://www.CropCareEquipment.com)

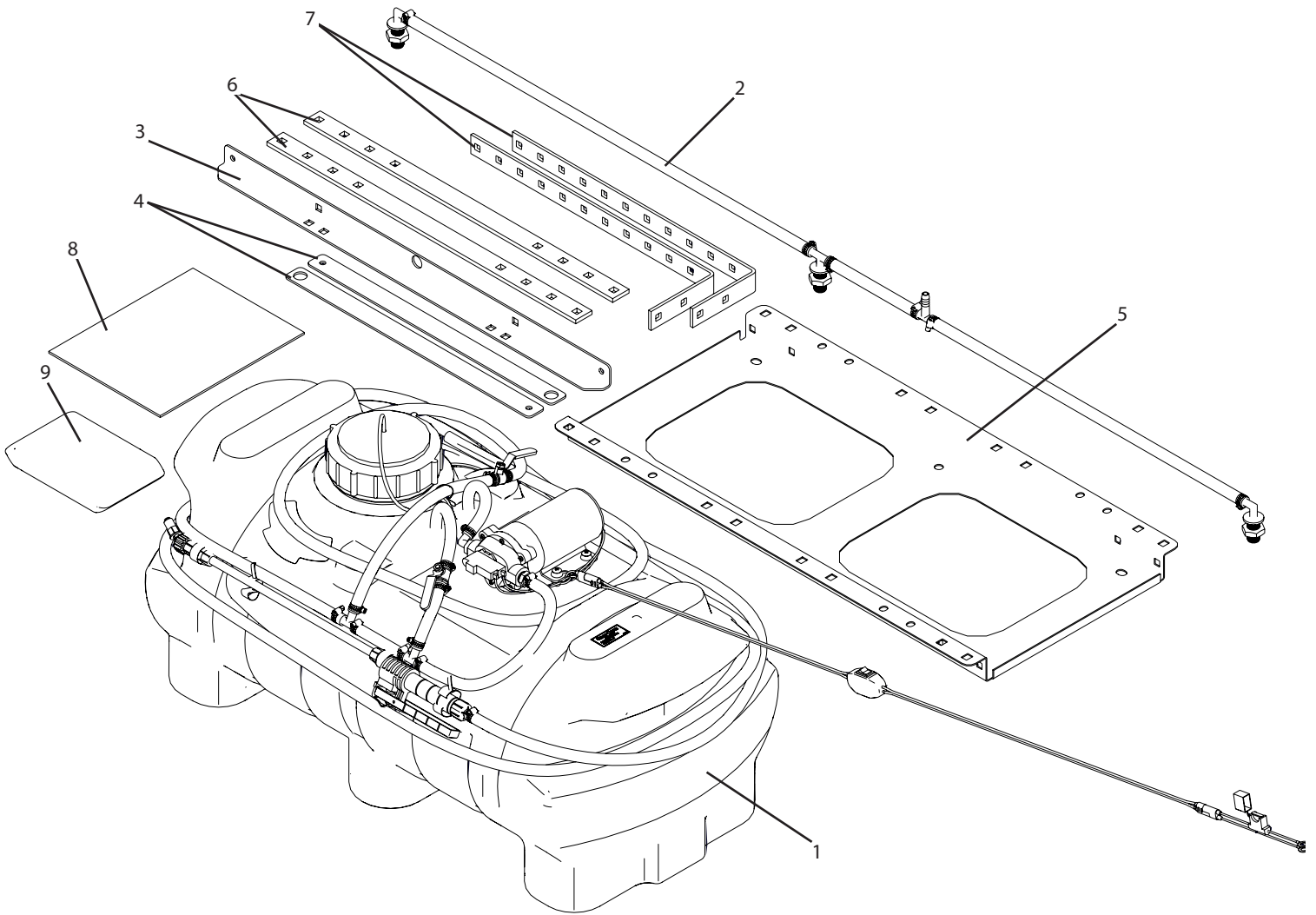
Form: LGX25-2AM  
Rev: C Date: 6/22



# Assembly Instructions

## Box Contents

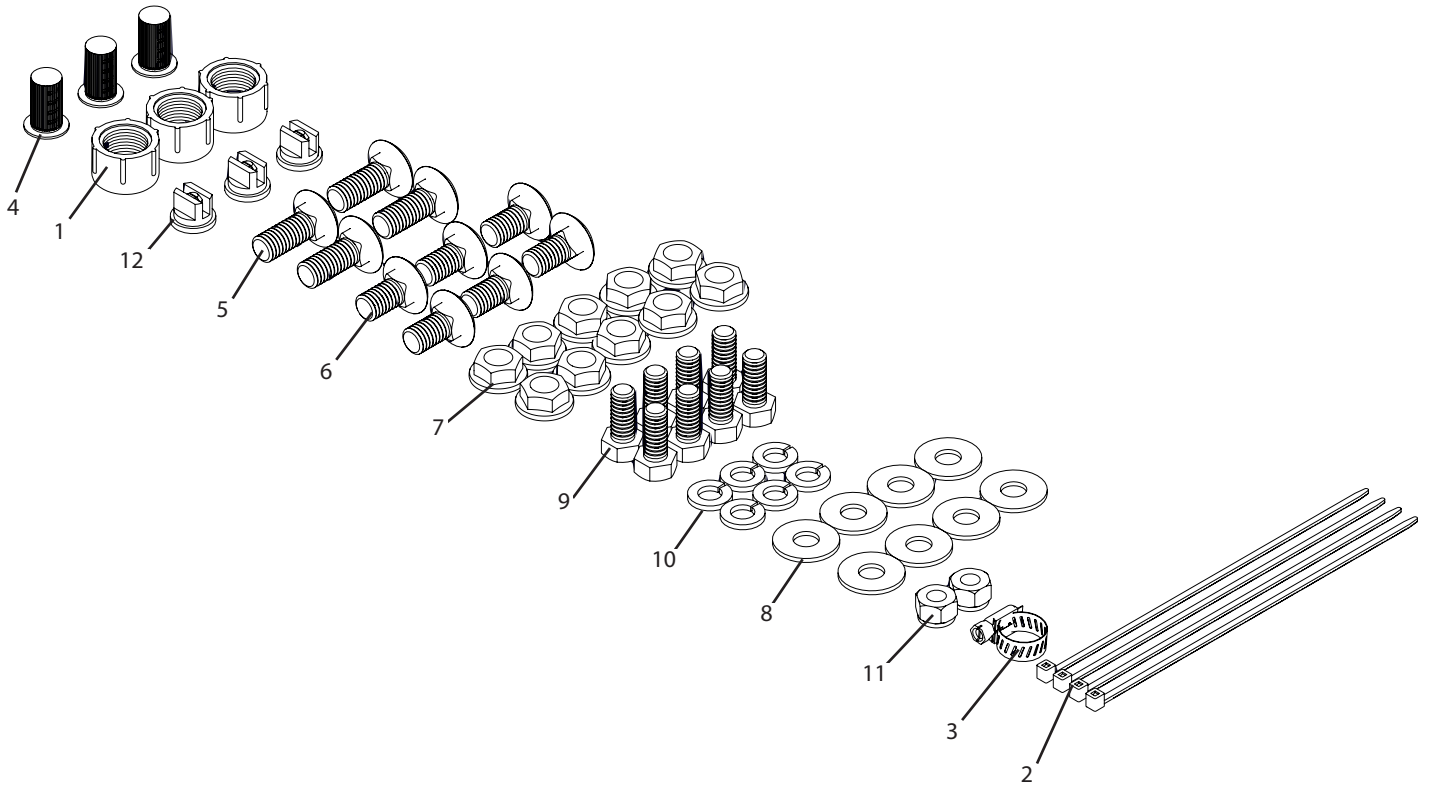
The LGX25 comes partially assembled and requires some assembly. Use the assembly instructions to ensure proper assembly. Before assembling, ensure that the boxes contain the necessary components and parts.



Item	Qty.	Part Number	Description
1	1	Assembled Base Unit	
2	1	Assembled Boom Plumbing	
3	1	T1441	LGX25, Boom Center
4	2	T1442	LGX25, Boom Wing
5	1	T1430	LGX25-ATX25 Frame
6	2	T1433	LGX25 Skid, Extension
7	2	T1438	LGX25 Trailer, Boom Mount
8	1	LGX25-2OM	Manual, Owners LGX25 Skid Sprayer
9	1	Hardware Bag	

# Assembly Instructions

## Hardware Bag Contents

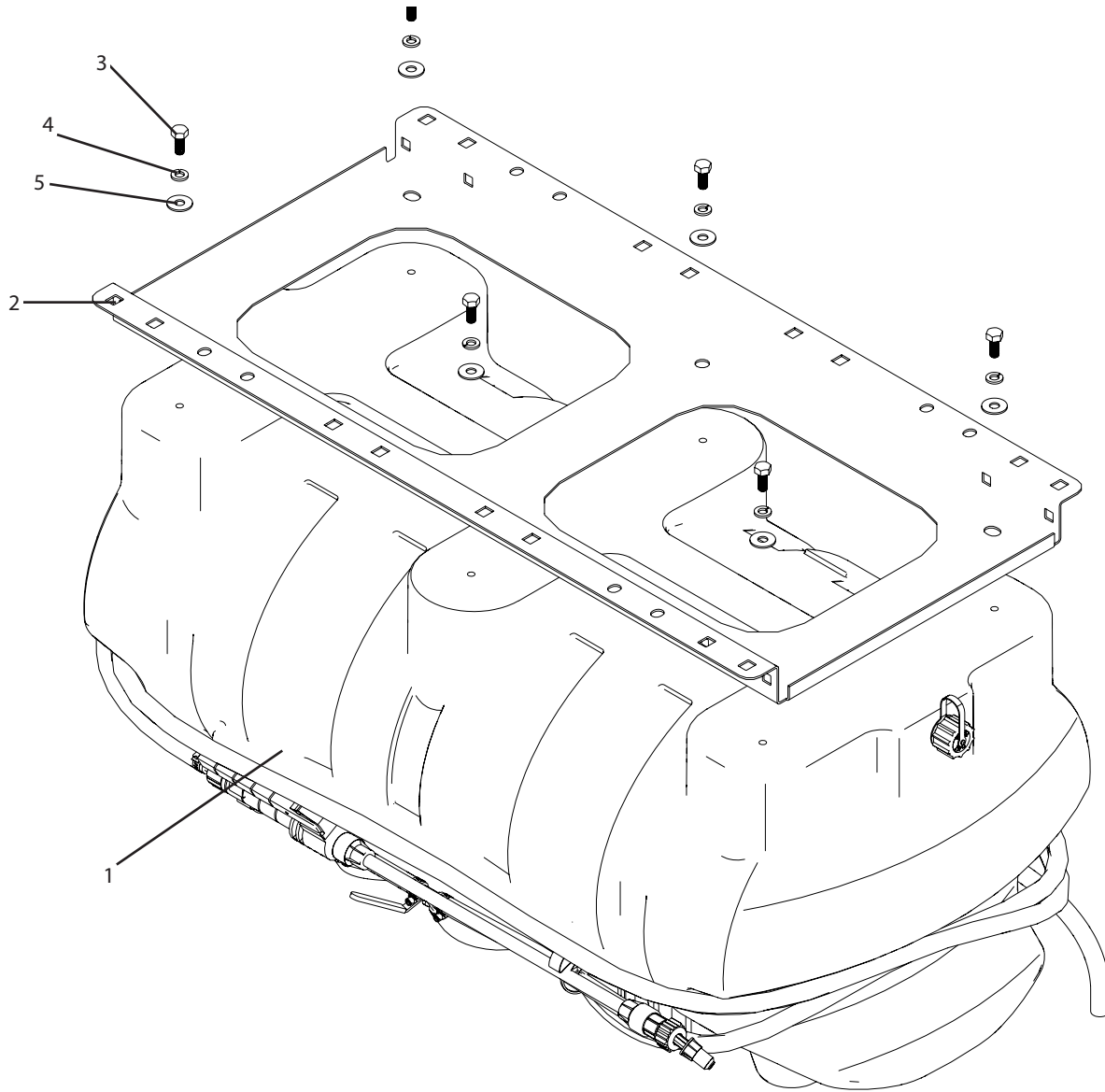


Item	Qty.	Part Number	Description
1	3	38027	Cap, Nozzle Tip/barb 11/16-16 UNF Poly
2	4	618UV	Cable Tie, 6" 18 Lb UV Black
3	1	62604052	Hose Clamp, Mini 1/4" - 5/8"
4	3	8079PP50	Strainer, Tip 50 Mesh Blue Poly Body SS Screen
5	4	CB38*1G5	Bolt, Carriage 3/8-16 x 1" Gr 5
6	6	CB38*34G5	Bolt, Carriage 3/8-16 x 3/4" Gr 5
7	10	FN38	Nut, Flange 3/8-16
8	8	FW516	Washer, Flat 5/16"
9	8	H5C516*34	Bolt, Hex 5/16-18 x 3/4" Gr 5
10	6	LW516	Washer, Lock 5/16"
11	2	NNC516	Nut, Lock Nylon 5/16-18
12	3	TP11008VP	Teejet spray tip, flat fan, ceramic, white

# Assembly Instructions

## Step 1

- Install the base frame onto the bottom of the sprayer tank. NOTE: Tighten the bolts (Item 3) until the lock washer (Item 4) is compressed flat against the frame (Item 2), but do NOT tighten more than this to prevent the threads in the tank from stripping.

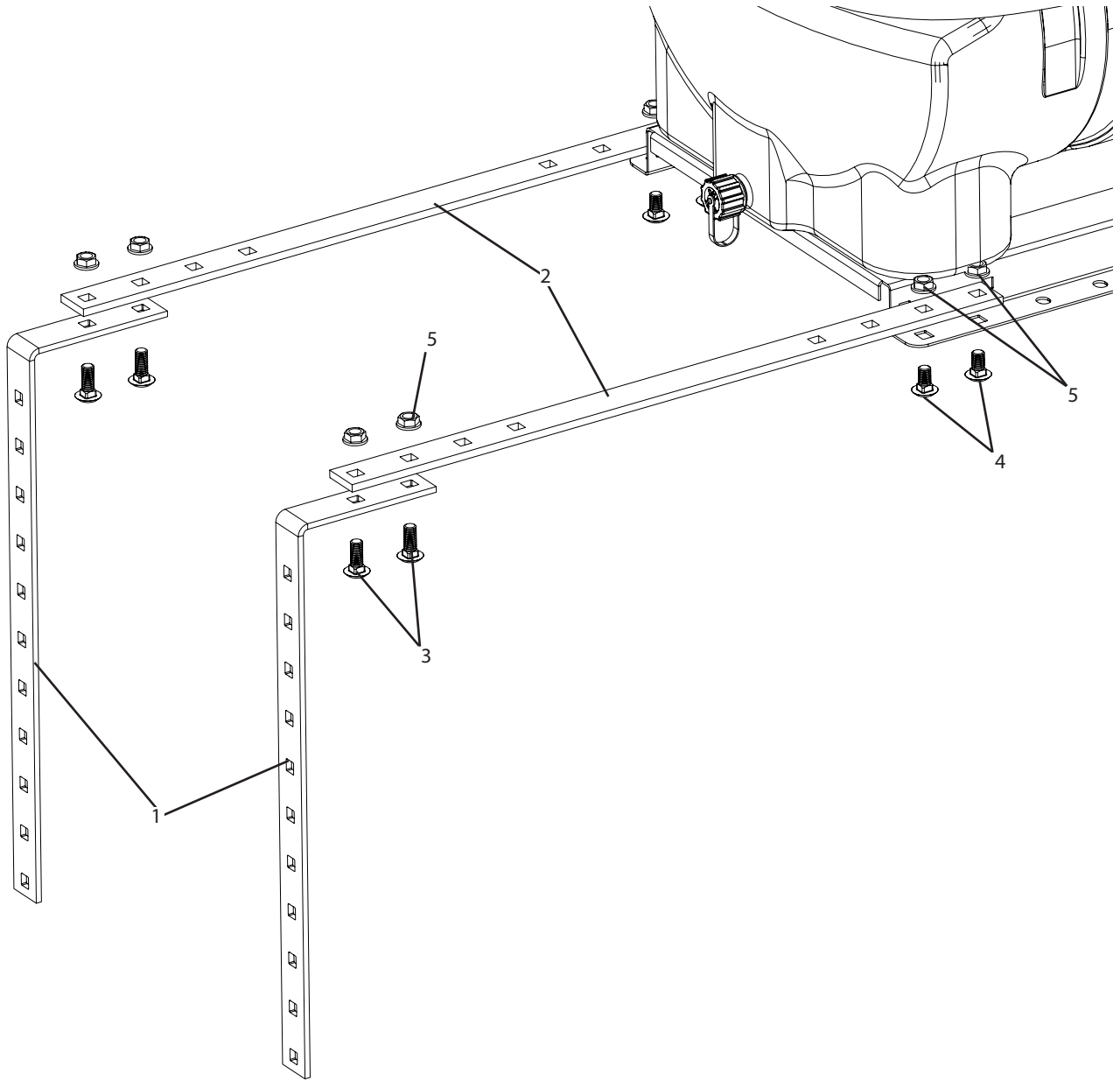


Item	Qty.	Part Number	Description
1	1	Assembled Base Unit	
2	1	T1430	LGX25-ATX25 Frame
3	6	H5C516*34	Bolt, Hex 5/16-18 x 3/4" Gr 5
4	6	LW516	Washer, Lock 5/16"
5	6	FW516	Washer, Flat 5/16"

# Assembly Instructions

## Step 2

- Install the extensions and the boom mounting brackets.

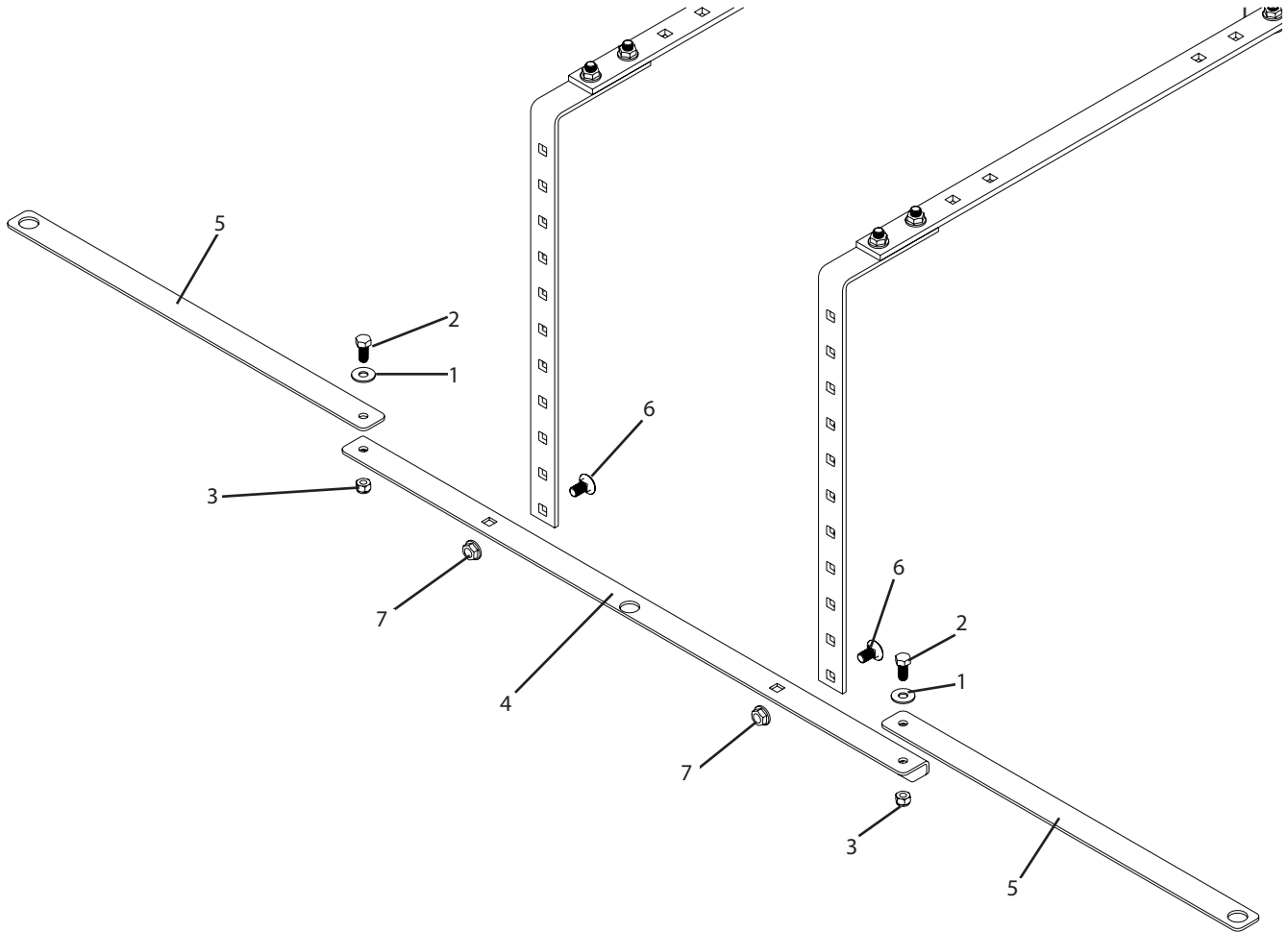


Item	Qty.	Part Number	Description
1	2	T1438	LGX25, Boom Mount
2	2	T1433	LGX25 Skid, Extension
3	4	CB38*1G5	Bolt, Carriage 3/8-16 x 1" Gr 5
4	4	CB38*34G5	Bolt, Carriage 3/8-16 x 3/4" Gr 5
5	8	FN38	Nut, Flange 3/8-16

# Assembly Instructions

## Step 3

- Install the boom center section and wings onto the boom mounts.

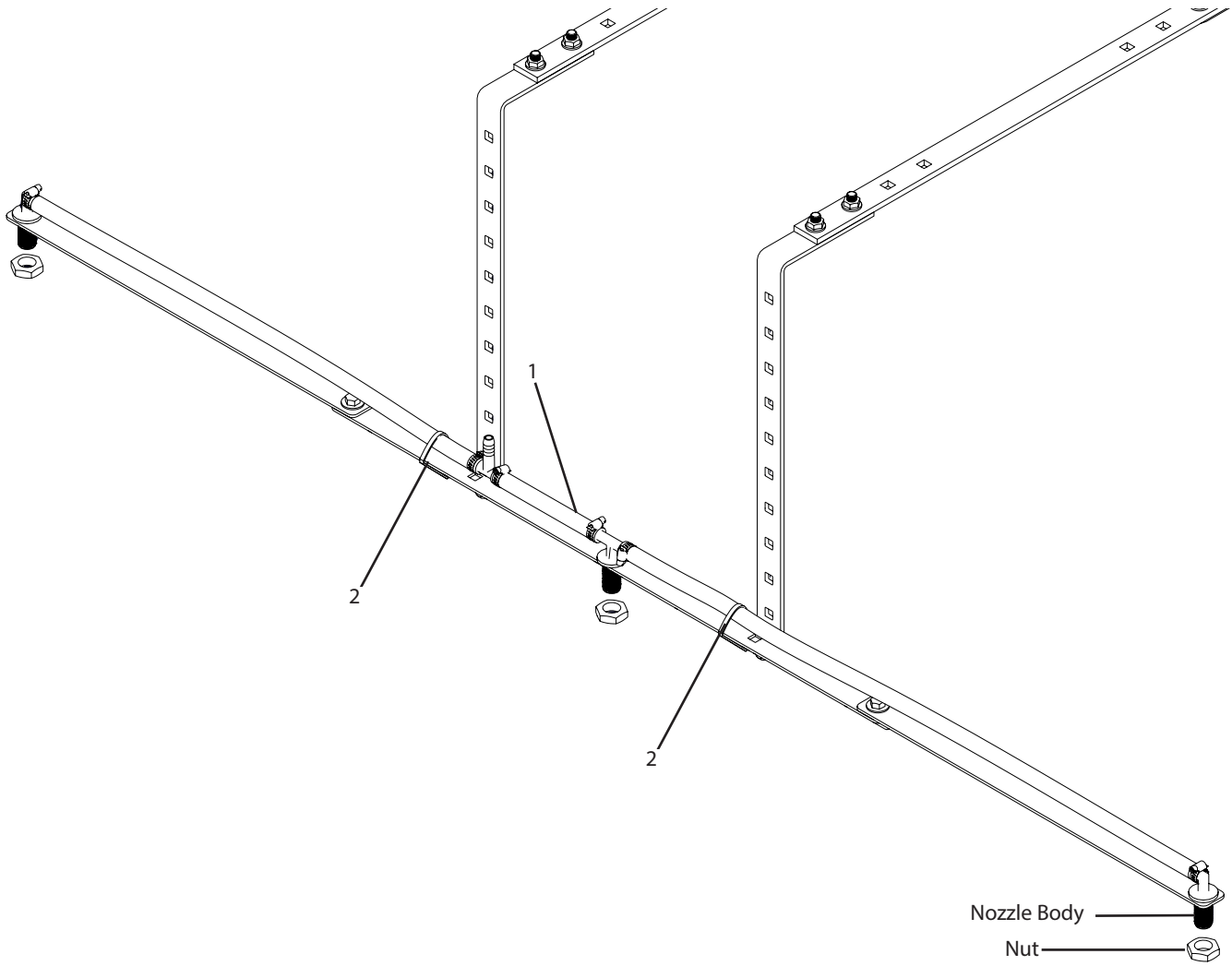


Item	Qty.	Part Number	Description
1	2	FW516	Washer, Flat 5/16"
2	2	H5C516*34	Bolt, Hex 5/16-18 x 3/4" Gr 5
3	2	NNC516	Nut, Lock Nylon 5/16-18
4	1	T1441	LGX25, Boom Center
5	2	T1442	LGX25, Boom Wing
6	2	CB38*34G5	Bolt, Carriage 3/8-16 x 3/4" Gr 5
7	2	FN38	Nut, Flange 3/8-16

# Assembly Instructions

## Step 4

- Install the assembled boom plumbing (Item 1). Remove nut from nozzle body and reinstall to fasten to boom.
- Secure hose with cable tie (Item 2).

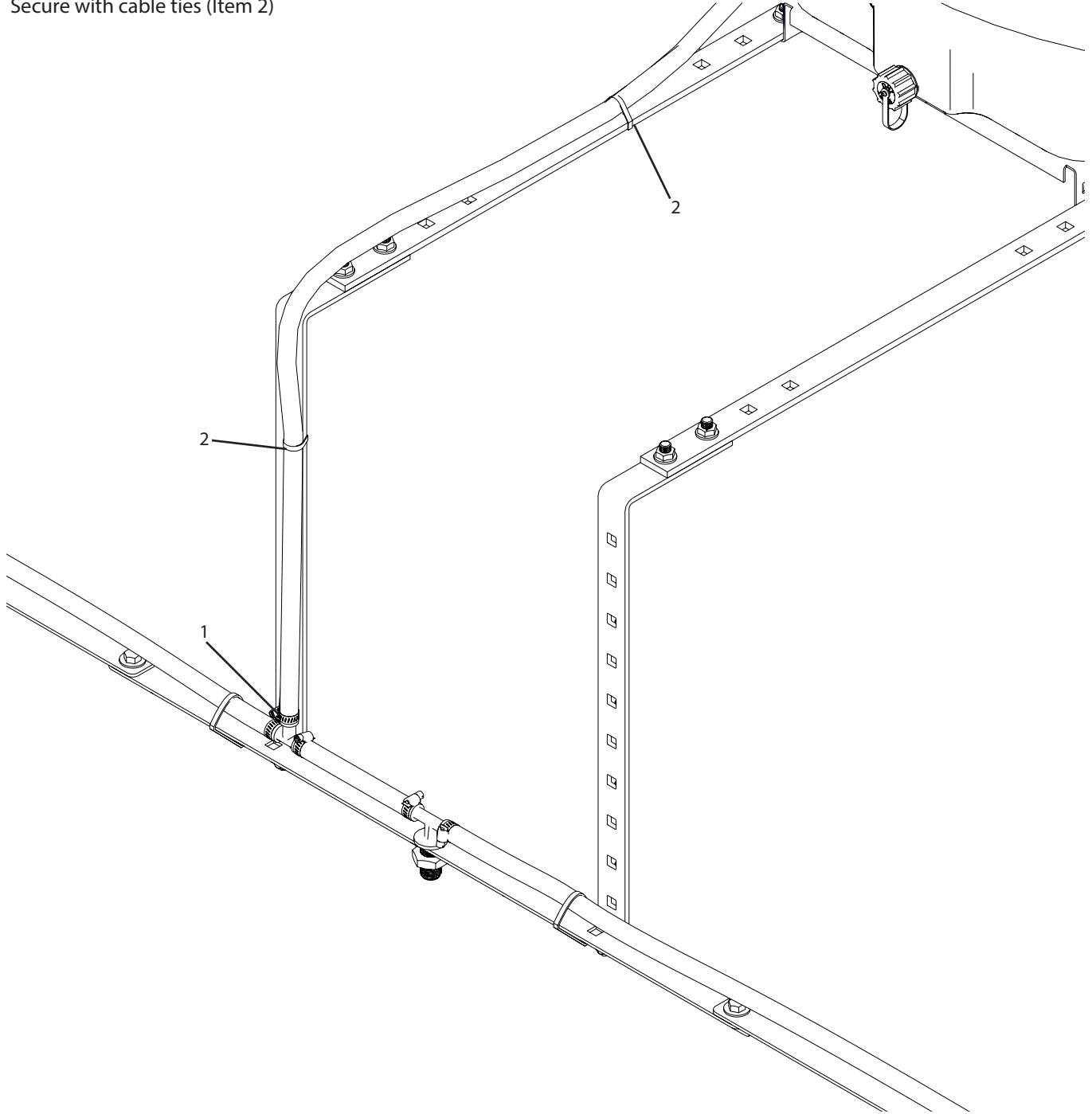


Item	Qty.	Part Number	Description
1	1	-----	Assembled Boom Plumbing
2	2	618UV	Cable Tie, 6" 18 Lb UV Black

# Assembly Instructions

## Step 5

- Install the hose that connects to the valve to the tee.
- Secure with cable ties (Item 2)

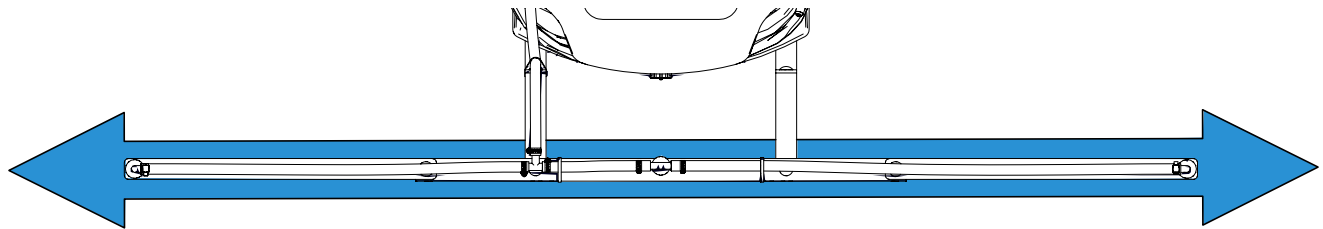
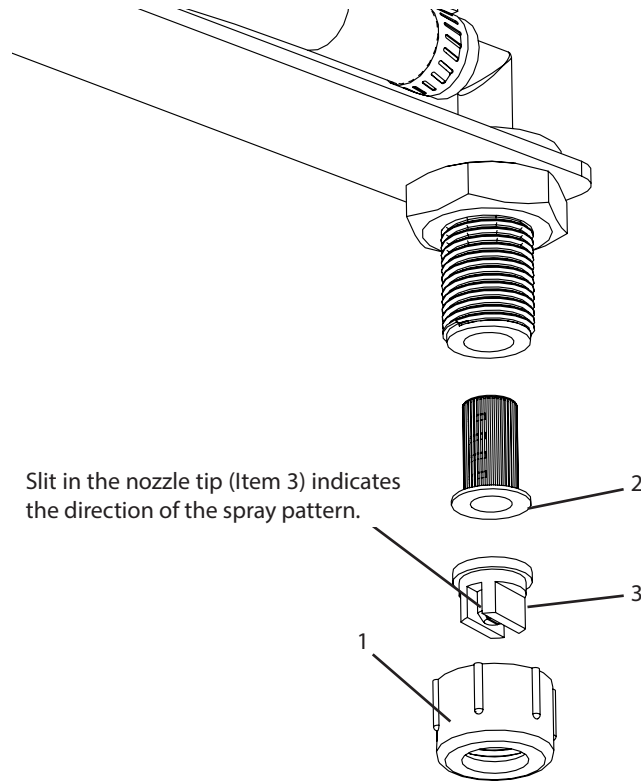


Item	Qty.	Part Number	Description
1	1	62604052	Hose Clamp, Mini 1/4" - 5/8"
2	2	618UV	Cable Tie, 6" 18 Lb UV Black

# Assembly Instructions

## Step 6

- Install the spray tips. NOTE: Align the tip (item 3) with boom as shown, so that the spray pattern is spread out to the right and left sides, rather than to the front and back of the boom.
- NOTE: If the spray patterns from the tips (Item 3) are hitting the sprayer, angle the tips until the spray pattern clears the sprayer. To adjust the spray tip angle, loosen spray tip cap nut (Item 1). Align spray tip (Item 3) and tighten cap nut (Item 1).



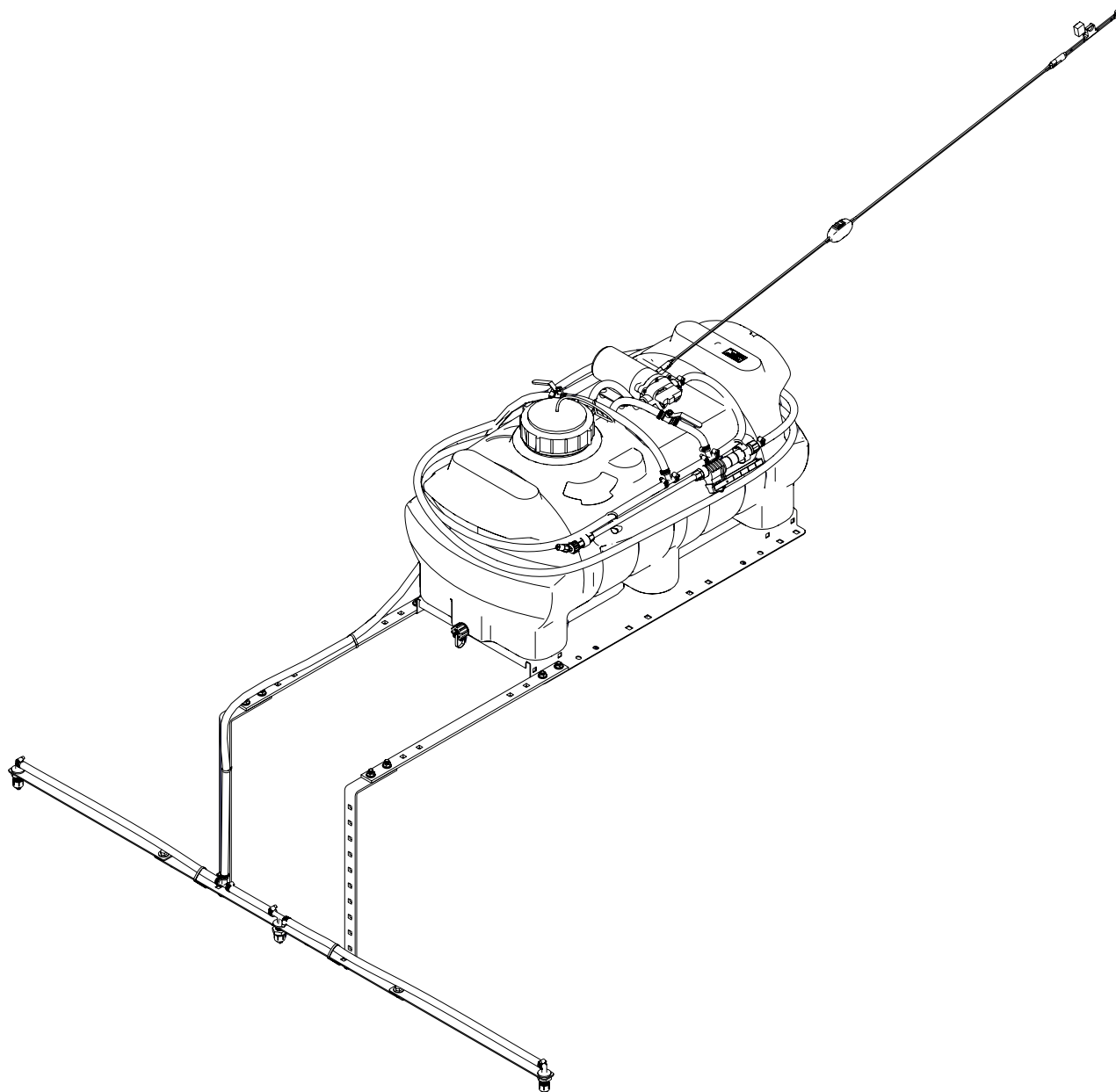
Direction of Spray Pattern  
(Turn tip as needed to have spray pattern clear the Sprayer)

Item	Qty.	Part Number	Description
1	3	38027	Cap, Nozzle Tip/barb 11/16-16 UNF Poly
2	3	8079PP50	Strainer, Tip 50 Mesh Blue Poly Body SS Screen
3	3	TP11008VP	Teejet spray tip, flat fan, ceramic, white

# Assembly Instructions

## Step 7

- Connect to a battery. NOTE: See Owner's manual for specific information regarding the wiring and power requirements for this sprayer.
- NOTE: See Owner's Manual for instructions on sprayer mounting, adjustments, and operation.



Congratulations, your new CropCare® LGX25 Sprayer is assembled and ready for years of use!

Contact us with questions or concerns at:  
[Info.cropcare@pbzinc.com](mailto:Info.cropcare@pbzinc.com)

Or find additional support materials at:  
[CropCareEquipment.com](http://CropCareEquipment.com)